

Motor Control Switches

Project Name:	Prepared By:
Project Number:	Date:
Catalog Number:	Type:



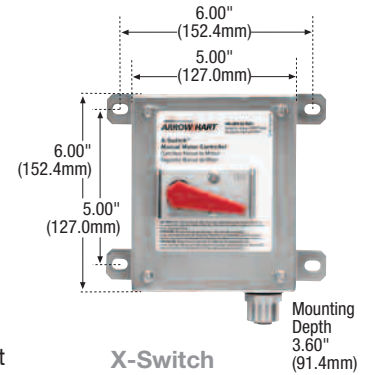
Motor Control Switch

Type 4X
30A, 600V/AC Max.
3-Pole, 3-Phase

Industrial Grade Complex Environment Switch

FEATURES

- NSF certified for use in food processing Splash Zone areas.
- Designed to reduce on-site fabrication/assembly.
- Can be padlocked to conform to OSHA Lockout/Tagout 1910.147 requirements.
- Compact size & small footprint designed for installation versatility.
- Durable, Type 4X enclosure is made of non-magnetic, non-corrosive Type 304 stainless steel ideal for washdown environments.
- Type 4X breather/drain option available to prevent interior condensation buildup (enclosure with breather drain is self-certified Type 4X).
- Smooth, continuous welded seams and satin-brushed surface for easy cleaning.
- Optional pre-wired SOFTPower™ connectivity for easy connection and change-outs that reduce downtime.
- Durable lever handle and switch mechanism will withstand repeated use in harsh environments.
- Heavy-duty manual contactor switch designed to deliver dependability, long life and excellent electrical continuity.
- Switch pre-wired with load side fork terminals for easy phase customization.
- Switch rated for maximum 15HP at 600V/AC.
- Multiple configurations and custom options to meet your specific needs.
- Short-Circuit Current Ratings up to 50kA.



Catalog Number Matrix

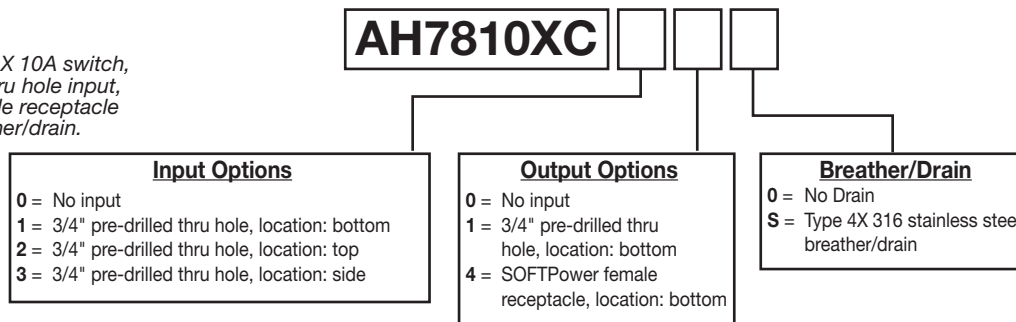
X-Switch Motor Control Switch



3-Pole, 30A 600V/AC

Sample Number:

AH7810XC14S =
 Arrow Hart Type 4X 10A switch,
 3/4" pre-drilled thru hole input,
 SOFTPower female receptacle
 output with breather/drain.



AH7810XC000, AH7810XC110, AH7810XC11S, AH7810XC14S & AH7810XC24S are available for immediate shipment. All other items are available for quick-shipment within 15 days. For quantities over 50, consult factory for lead times.

X-Switch SOFTPower Accessories



Description	Catalog No.
SOFTPower Inlet (male receptacle), 10A 600V/AC, 4-Pole Mini Connector	<input type="checkbox"/> AHMR4E4BC005MX
SOFTPower Outlet (female receptacle), 10A 600V/AC, 4-Pole Mini Connector	<input type="checkbox"/> AHMR4D4BC005MX
SOFTPower Patch Cord, 1 meter long, 10A 600V/AC 4-Pole Mini Connector (male 90° to female straight)	<input type="checkbox"/> AHML4H4TC010MX
SOFTPower Patch Cord, 2 meters long, 10A 600V/AC 4-Pole Mini Connector (male 90° to female straight)	<input type="checkbox"/> AHML4H4TC020MX
SOFTPower Patch Cord, 3 meters long, 10A 600V/AC 4-Pole Mini Connector (male 90° to female straight)	<input type="checkbox"/> AHML4H4TC030MX
SOFTPower Patch Cord, 4 meters long, 10A 600V/AC 4-Pole Mini Connector (male 90° to female straight)	<input type="checkbox"/> AHML4H4TC040MX

TESTING & CODE COMPLIANCE

- NSF Listed; evaluated for use in hose-down areas
- cULus Listed to UL508, CSA C22.2 no. 14, file no. E135083
- SOFTPower: UL Recognized, cURus, file no. E322038

MATERIAL CHARACTERISTICS

- Flammability meets UL94 requirements; 5V rated
- Temperature rating: -40°C to 105°C (-40°F to 221°F)

Motor Control Switches Specification & Performance Data

Project Name:	Prepared By:
Project Number:	Date:
Catalog Number:	Type:



**NSF Certified
Motor Control Switch**

**Type 4X
30A, 600V/AC Max.
3-Pole, 3-Phase**

Application

X-Switch is designed specifically for abusive industrial manufacturing applications in which the switch is exposed to frequent washdown. They are ideal for food processing, meat-packing, distilleries, bottling and other food handling environments. The enclosure is specially designed to prevent the penetration of external contaminants while delivering dependable code & OSHA compliant switching. Optional breather/drain to eliminate internal condensation, plus a variety of input/output options. The rugged switching system is specifically designed for durability, superior service life and excellent electrical continuity. Optional SOFTPower™ connection points mean less downtime, easier maintenance and increased safety by replacing traditional hardwiring with a plug-and-run modular pre-wired system.

	Switch Type	X-Switch Motor Control, 3-Pole, 3 Phase
	Optional Input/Output Connection	10A, 4-Pole SOFTPower Mini Connector (if selected)
	Testing & Code Compliance	<ul style="list-style-type: none"> cULus Listed to UL508, file no. E135083 NSF evaluated for use in hose-down areas and to NSF/ANSI/3-A Standard 14159-1 Hygiene Requirements for the Design of Meat and Poultry Processing Equipment
Specifications: Environmental	Flammability	Meets UL 94 requirements; rated 94-5V
	Temperature Rating	-40°C to 105°C (-40°F to 221°F)
	Protection	Type 4X
Specifications: Electrical	Maximum Continuous Current	30A
	Endurance, Mechanical	10,000 cycles minimum
	Endurance, Electrical	6,000 cycles minimum
	Motor Loads	Horsepower rated per UL508
	Short Circuit Current Rating	5,000 amps RMS when protected with 30A class RK5 fuses; when used with SoftPower: 5,000 amps RMS when protected with 30A class RK5 fuses, 50,000 amps RMS when tested with 30A class J fuses
Specifications: Mechanical	Terminal Accommodation	#14 - 10 AWG
	Voltage Ratings	Permanently marked on device
Materials:	Enclosure Body	16 gauge Type 304 stainless steel
	Enclosure Handle	Red nylon thermoplastic
	Enclosure Gasket	Silicone
	Manual Contactor Terminal Type	Front-wire screw termination
	Manual Contactor Terminal Screws	Nickel plated 260 brass
	Manual Contactor Contacts	Silver
	Manual Contactor Moveable Arm	Brass
Optional Equipment Materials:	SoftPower Receptacle Shell	Type 316 stainless steel
	SoftPower Receptacle Contacts	Machined brass
	SoftPower Receptacle Potting Compound	Black rigid epoxy
	Breather/Drain Material	Type 316 stainless steel
	Breather/Drain Gasketing	Captive "O" ring

Horsepower Rated for Motor Loads per UL 508

V/AC	Horsepower	Current, Amps
120V	3 HP	30A
240V	7.5 HP	30A
480V	15 HP	20A
600V	7.5 HP	10A
600V	15 HP	20A

600V, 3 Phase, 30A General Purpose
All ratings are 3-Phase, all poles breaking load.